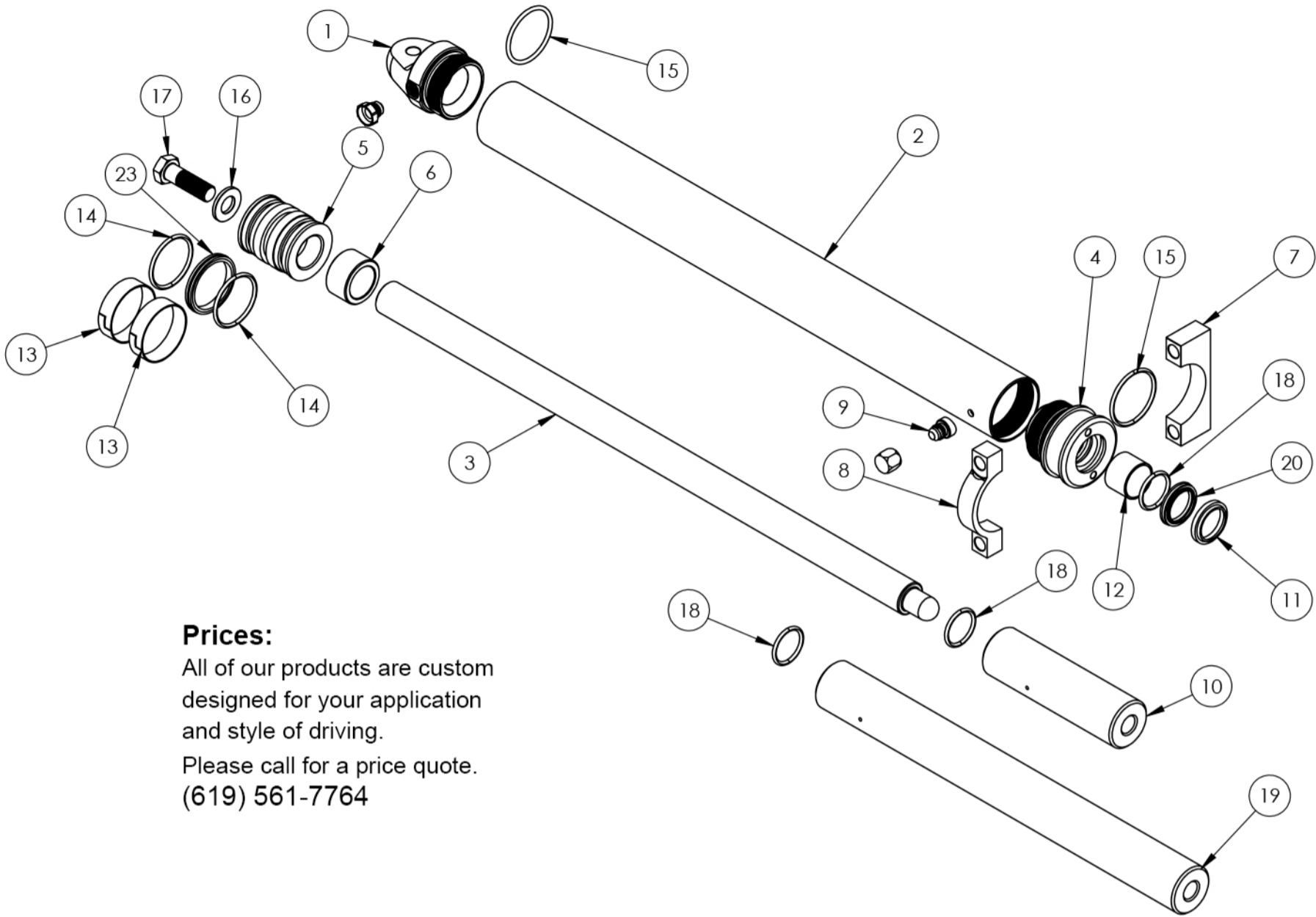


Howe Performance

960-0001 - RAM ASSEMBLY HYDRAULIC JACK



Prices:

All of our products are custom designed for your application and style of driving.

Please call for a price quote.
 (619) 561-7764

For Off Hwy use only! All sales are final after 90 days. 15% Restock fee on all returns. No returns on custom parts. Copy of invoice must accompany all returned items. Not liable for installs or parts modifications. Seller will not be responsible for any labor time or charges incurred for any reason.

WARRANTY DISCLAIMER

Because of their intended usage, the manufacturer makes no warranties whatsoever, express or implied, oral or written to purchasers of their products regarding performance, safety, fit, merchantability, or length of service. Purchasers are responsible for selection of proper goods and must rely on their own skill or judgment that such goods are suitable for purchasers' application.

ITEM NO.	DESCRIPTION	QTY.
1	2-1/4 Racing Jack Top Cap	1
2	2-1/4 Racing Jack Cylinder	1
3	2-1/4 Racing Jack Shaft(1.25 Shaft)	1
4	2-1/4 Racing Jack Seal Housing (1.25 Shaft)	1
5	2-1/4 Racing Jack Piston	1
6	10 Double-Ended Ram Spacer (1.0" Long)	1
7	2-1/4 Double-Ended Ram Clamp Bottom	1
8	2-1/4 Double-Ended Ram Clamp Top	1
9	Weld On -6 fitting JIC	1
10	2-1/4 Racing Jack Extension #2(1.25 shaft)	1
11	D 1250 Slotted D Rod Wiper	1
12	20 TH 16 Shaft Bushing	1
13	2-1/2" Bronze Wearband	2
14	225 V75BR Viton O'Ring	2
15	226 B70 Buna O'Ring	2
16	5/8-SAE Hardened Washer (Zinc Plated)	1
17	5/8-18 x 2 Long Hex Head Grade 8 Bolt (Zinc Plated)	1
18	218 V75BR Viton O'Ring	3
19	2-1/4 Racing Jack Extension #1(1.25 shaft)	1
20	H-1250 90 Durometer H Wiper	1
21	-6 JIC Fitting Cap	1
22	-6 Plastic Capplugs PD-60	1
23	2-1/4 Beige Piston Seal (4300 PSP-328)	1