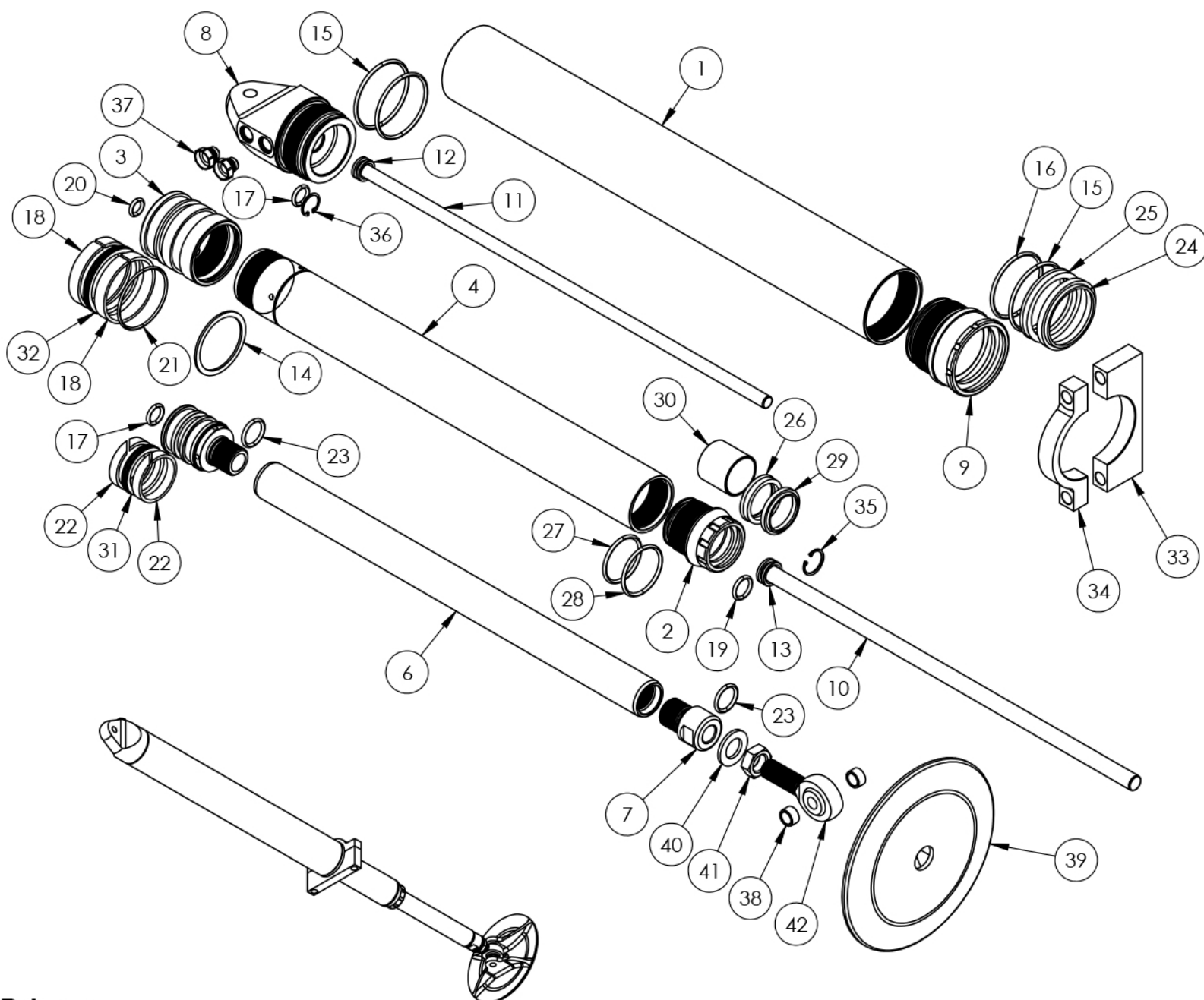


# Howe Performance

960-1002 - RAM ASSEMBLY 2 STAGE HYDRAULIC JACK



## Prices:

All of our products are custom designed for your application and style of driving.

Please call for a price quote.

(619) 561-7764

**For Off Hwy use only! All sales are final after 90 days. 15% Restock fee on all returns. No returns on custom parts. Copy of invoice must accompany all returned items. Not liable for installs or parts modifications. Seller will not be responsible for any labor time or charges incurred for any reason.**

## WARRANTY DISCLAIMER

Because of their intended usage, the manufacturer makes no warranties whatsoever, express or implied, oral or written to purchasers of their products regarding performance, safety, fit, merchantability, or length of service. Purchasers are responsible for selection of proper goods and must rely on their own skill or judgment that such goods are suitable for purchasers' application.

ITEM NO.	QTY.	DESCRIPTION
1	1	3.125 Main Cylinder (2 Stage Jack)
2	1	Secondary Seal Housing (2 Stage Jack)
3	1	Primary Piston (2 Stage Jack)
4	1	Primary Shaft (2 Stage Jack)
5	1	Secondary Piston (2 Stage Jack)
6	1	Secondary Shaft (2 Stage Jack)
7	1	Secondary Shaft Bottom Cap (2 Stage Jack)
8	1	Top Cap (2 Stage Jack)
9	1	Primary Seal Housing (2 Stage Jack)
10	1	Primary Fluid Return Tube (2 Stage Jack)
11	1	Secondary Fluid Return Tube (2 Stage Jack)
12	1	Secondary Fluid Return Piston End (2 Stage Jack)
13	1	Primary Fluid Return Piston End (2 Stage Jack)
14	1	Spirolox Retaining Ring (WSM-237)
15	2	231 B70 Buna O'Ring
16	2	230 B70 Buna O'Ring
17	2	208 B70 Buna O'Ring
18	2	Wear Band (WR-02750-0500-125)
19	1	210 B70 Buna O'Ring
20	1	206 B70 Buna O'Ring
21	1	143 B70 Buna O'Ring
22	2	Wear Band (WR-02000-375-125)
23	2	213 B70 Buna O'Ring
24	1	D 2375 Slotted D Rod Wiper
25	1	Disogrin U-Cup Seal (DI001-164/ 2-3/8 x 2-7/8 x 3/8)
26	1	Disogrin U-Cup Seal (DI001-112/ 1-1/2 x 1-7/8 x 3/8)
27	1	224 B70 Buna O'Ring
28	1	225 B70 Buna O'Ring
29	1	D 1500 Slotted D Rod Wiper
30	1	24DU24 Shaft Bushing
31	1	2" Beige Piston Seal (4300 PSP-326)
32	1	2-3/4 Beige Piston Seal (4300 PSP-332)
33	1	Ram Clamp Bottom (2 Stage Jack)
34	1	Ram Clamp Top (2 Stage Jack)
35	1	H0-100 Internal Snap Ring
36	1	7/8" Internal Snap Ring (HO-87)
37	2	-6 Plastic Caplugs PD-60
38	2	Foot Heim Spacer
39	1	Jack Foot (2 Stage Jack)
40	1	3/4 SAE Hardened Washer (Zinc Plated)
41	1	3/4-16 Jam Nut Right Hand (Zinc Plated)
42	1	CM 12-8 Male Rod End (Right Hand)